

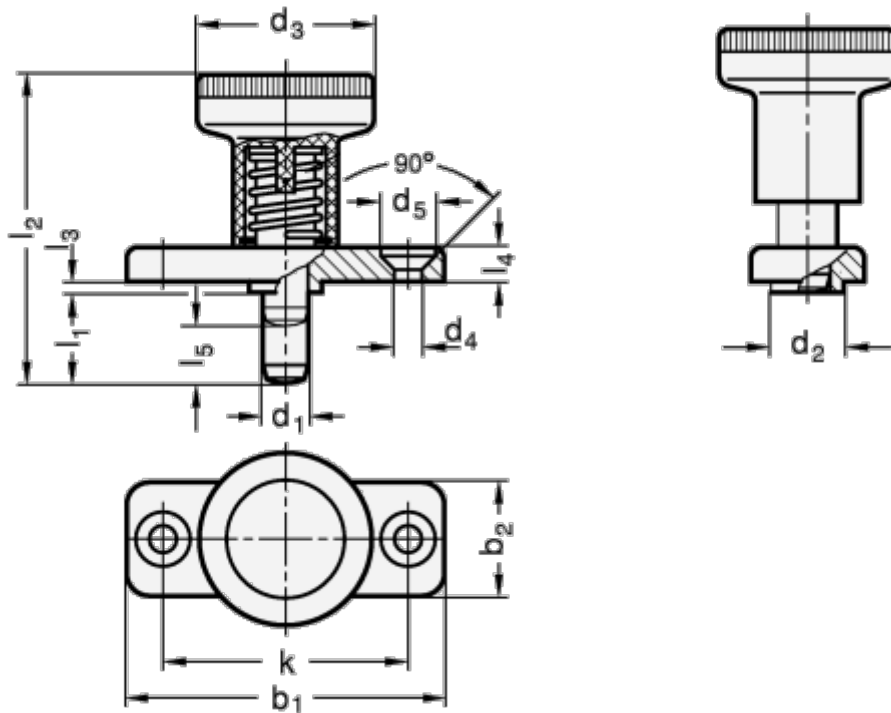
Data Sheet



Article number: 20608566

Description: E+G
Indexing plunger GN 608.5-6-6

Measures



Axial load capacity N = 400	k	= 30	
b1	= 40	l1	= 6
b2	= 18	l2	= 37
d1	= 6	l3	= 2.5
d2 -0.02/-0.1	= 10	l4	= 4.5
d3	= 25	l5	= 6
d4	= 4.3	Spring pressure N bottom	= 22
d5	= 8.3	Spring pressure N top	= 8.5